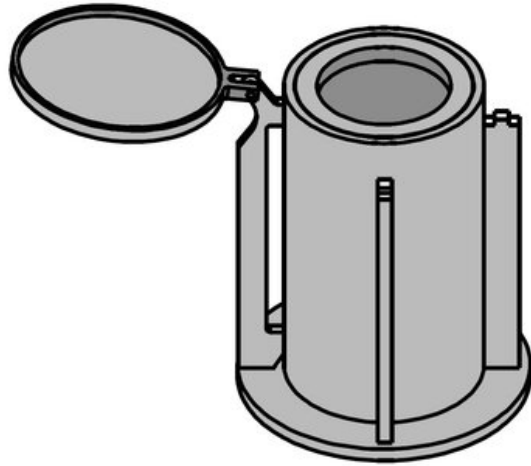


Built-In Concrete Socket for Swivel Davit Crane, Zinc Plated



Product information

Built-in concrete socket with zinc plating, suitable for all Swivel Davit cranes.

Material: Steel

Finish: Galvanized

Part Code

609777001845

Weight
kg

6

Delivery time

12

Blueprint

