



Lifting Eye Nut RUD RM

Product information

Octagonal lifting eye approved for lifting. Lifting with an angle of inclination is allowed with reduction of WLL (see diagram at blueprint) but we strongly recommend to use the Rud RM lifting eye only for straight lifting.

Applied harmonized norms: DIN EN ISO 12100: 2011-03

Marking: According to standard, CE-marked

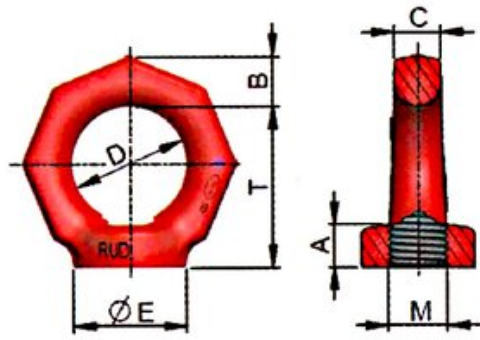
Standard: EN 1677-1

Safety factor: 4:1

Класс: 8

Код товара	WLL ton	Thread mm	WLL 90° ton	A mm	B mm	C mm	D mm	E mm	T mm	Bec kg	Delivery time
11.4055254	0,4	M6	0,1	12	11	10	25	25	34	0,1	12
11.4055255	0,8	M8	0,2	12	11	10	25	25	34	0,1	12
11.4055258	1	M10	0,25	12	11	10	25	25	34	0,1	12
11.4055271	1,6	M12	0,4	14	13	12	30	30	41	0,2	12
11.4055281	3	M14	0,75	16	15	14	35	35	48	0,3	12
11.4055460	3,2	M16	0,8	16	15	14	35	35	48	0,3	12
11.4055342	4,8	M18	1,2	18	17	16	40	40	55	0,4	12
11.4055343	6	M20	1,5	18	17	16	40	40	55	0,35	12
11.4055387	6	M22	1,5	22	21	20	50	50	70	0,65	12
11.4055394	8	M24	2	22	21	20	50	50	70	0,6	12
11.4055399	8	M27	2	28	26	24	60	60	85	1,4	12
11.4055438	12	M30	3	28	26	24	60	60	85	1,3	12
11.407994437	12	M33	3	37	43	38	90	100	130	5,8	12
11.4053093	16	M36	4	40	43	38	90	100	130	5,65	12
11.407904790	20	M39	5	37	43	38	90	100	130	5,65	12
11.4053095	24	M42	6	40	43	38	90	100	130	5,4	12
11.4053098	32	M48	8	40	43	38	90	100	130	5,3	12

Blueprint



Lifting Method			
Angle of inclination β	0°	90°	0°
WLL Factor	1	0.25	2

For these lifting methods we recommend lifting points which can be adjusted to the direction of pull!